

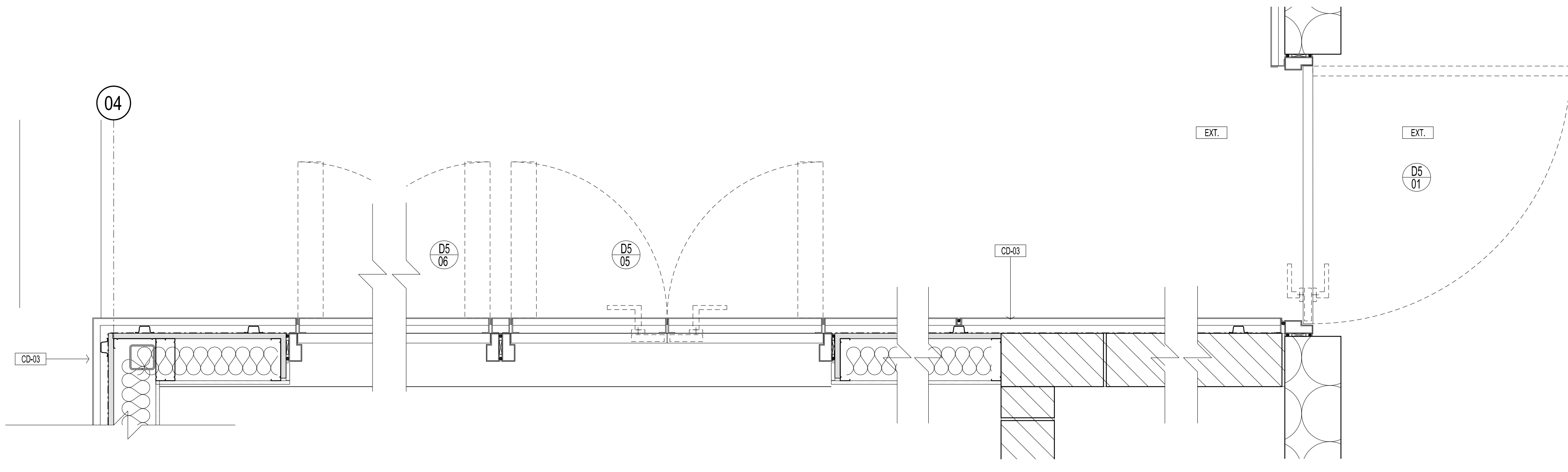
THIS DRAWING IS AN UNCONTROLLED COPY UNLESS STAMPED OTHERWISE

CONTRACTORS SHALL VERIFY JOB DIMENSIONS BEFORE ANY JOB COMMENCES. ALL SHOP DRAWINGS SHALL BE SUBMITTED TO THE SUPERINTENDENT AND MANUFACTURER SHALL NOT COMMENCE FROM THE RETURN OF DRAWINGS SHOWN. BY THE CONSULTANT FIGURED DIMENSIONS SHALL TAKE PRECEDENCE OVER SCALES. THIS DRAWING SHALL BE READ IN CONJUNCTION WITH ALL RELEVANT CONTRACT SPECIFICATIONS AND DRAWINGS COPYRIGHT OF THIS DRAWING IS VESTED IN WARDLE

General Notes

REFER ARCHITECTURAL DRAWINGS:

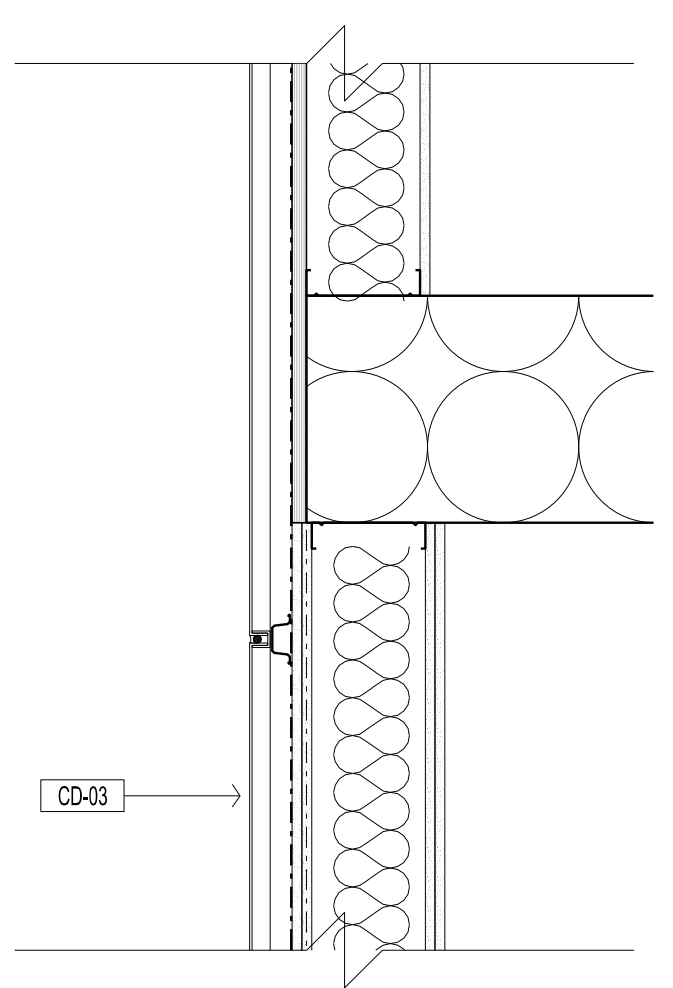
- FACADE SETOUT AR1502-AR1507
- PRECAST SETOUT AR1512-AR1517
- SCREEN SETOUT AR1502-AR1557
- SCREEN DETAILS AR6550-AR6554



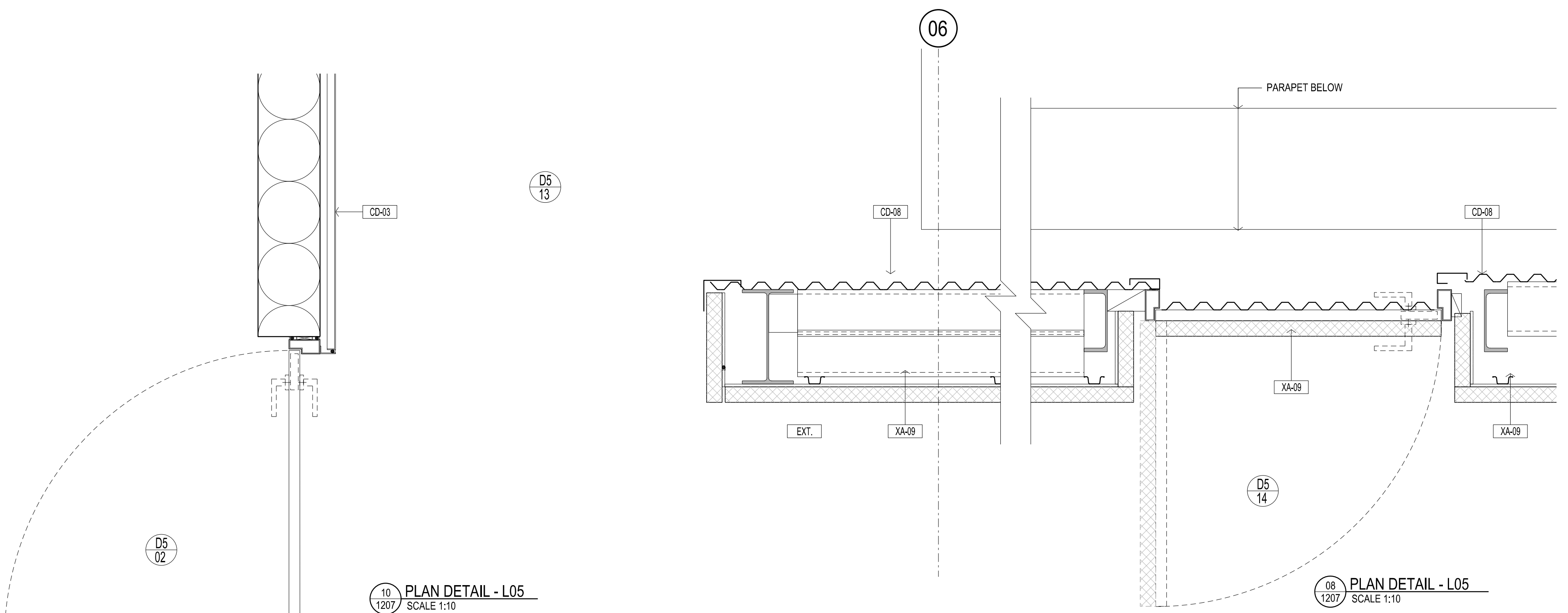
04 PLAN DETAIL - L05  
SCALE 1:10

05 PLAN DETAIL - L05  
SCALE 1:10

06 PLAN DETAIL - L05  
SCALE 1:10



12 PLAN DETAIL - L05  
SCALE 1:10

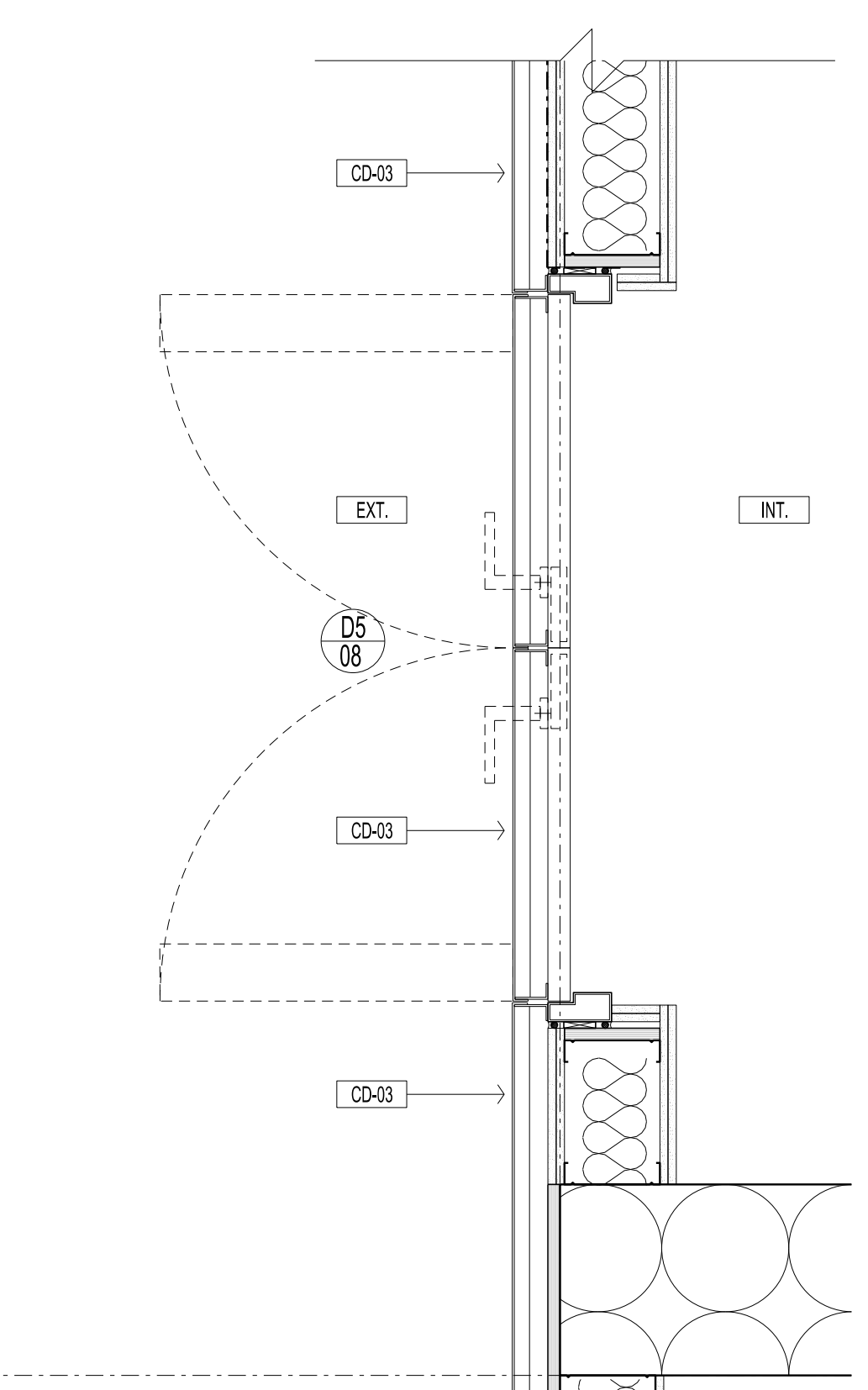
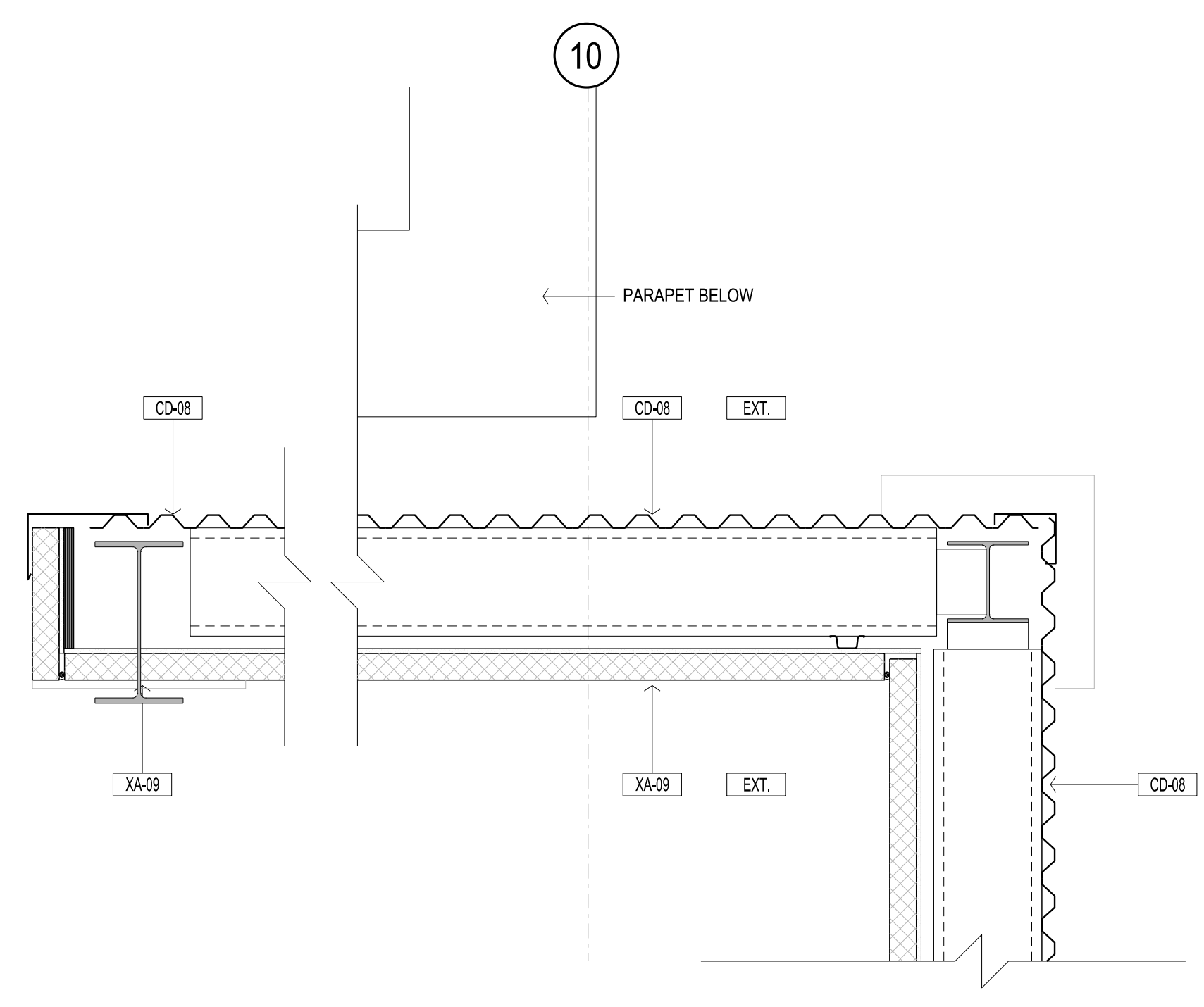


06 PLAN DETAIL - L05  
SCALE 1:10

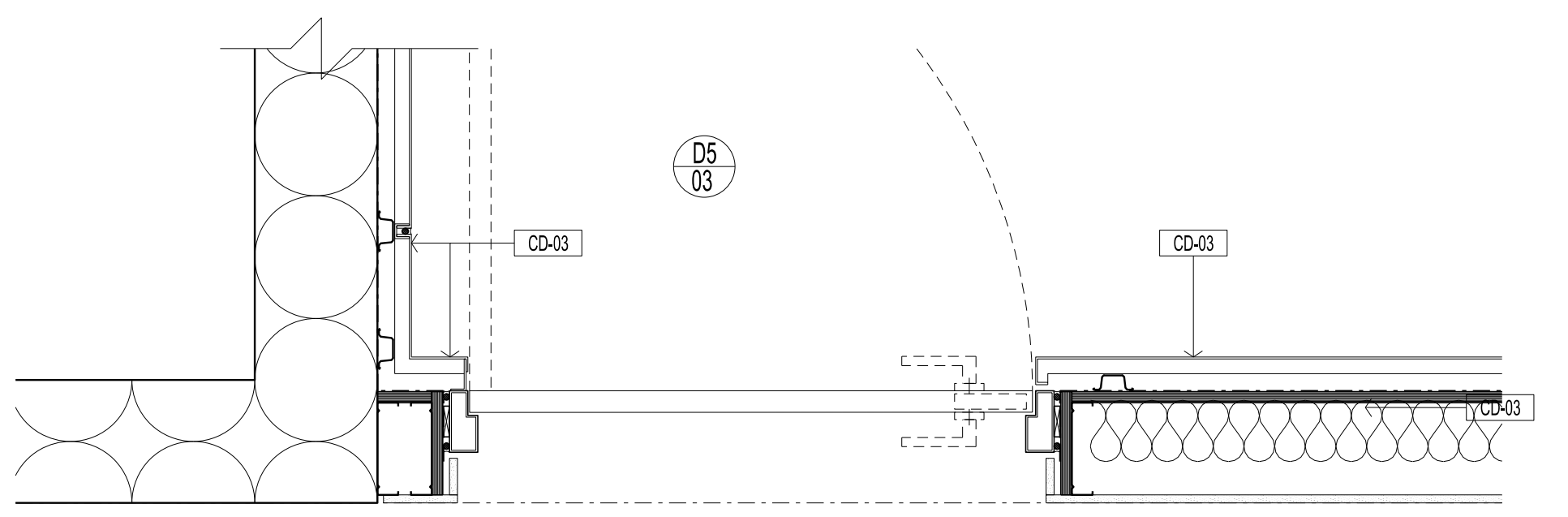
07 PLAN DETAIL - L05  
SCALE 1:10

08 PLAN DETAIL - L05  
SCALE 1:10

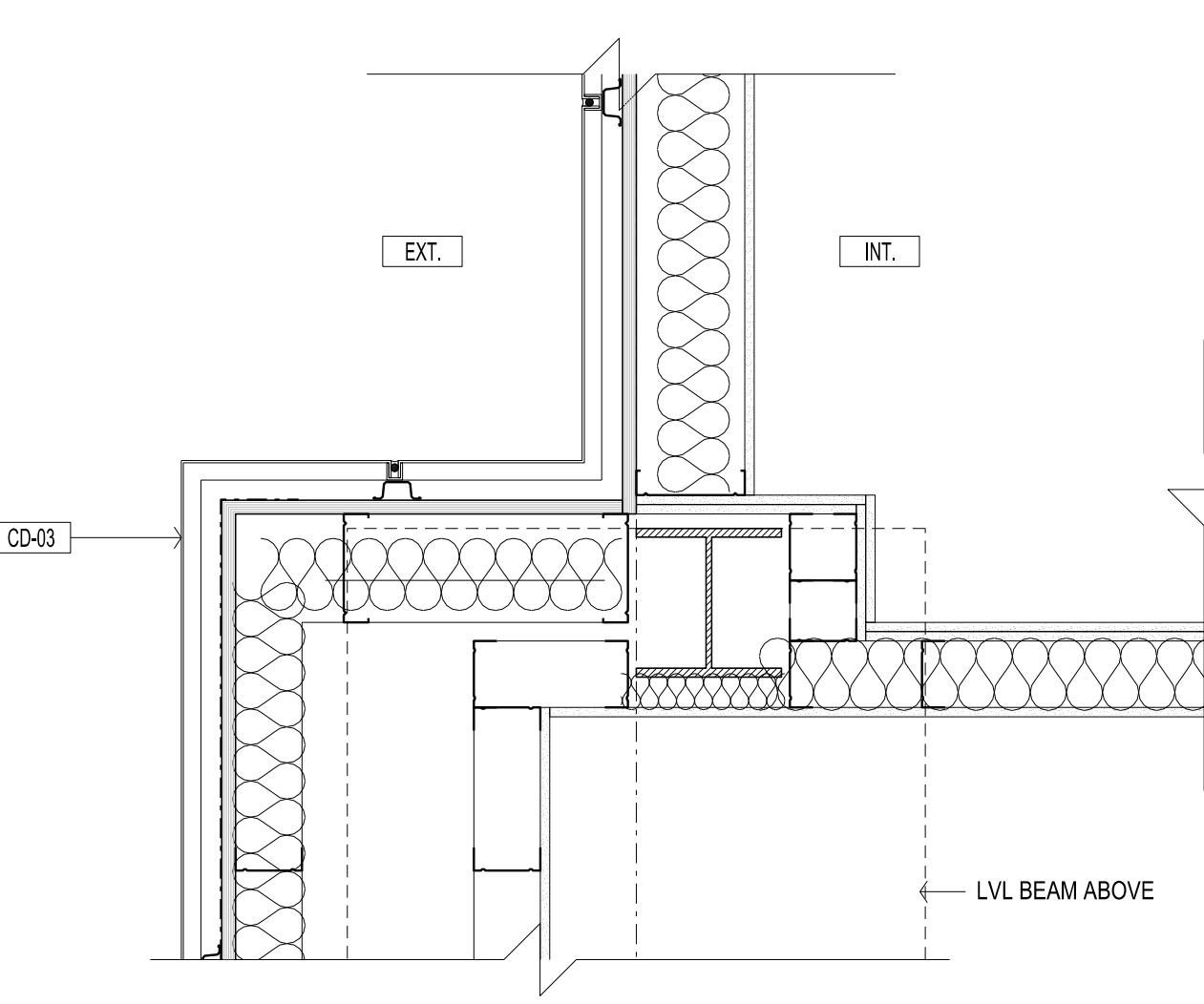
09 PLAN DETAIL - L05  
SCALE 1:10



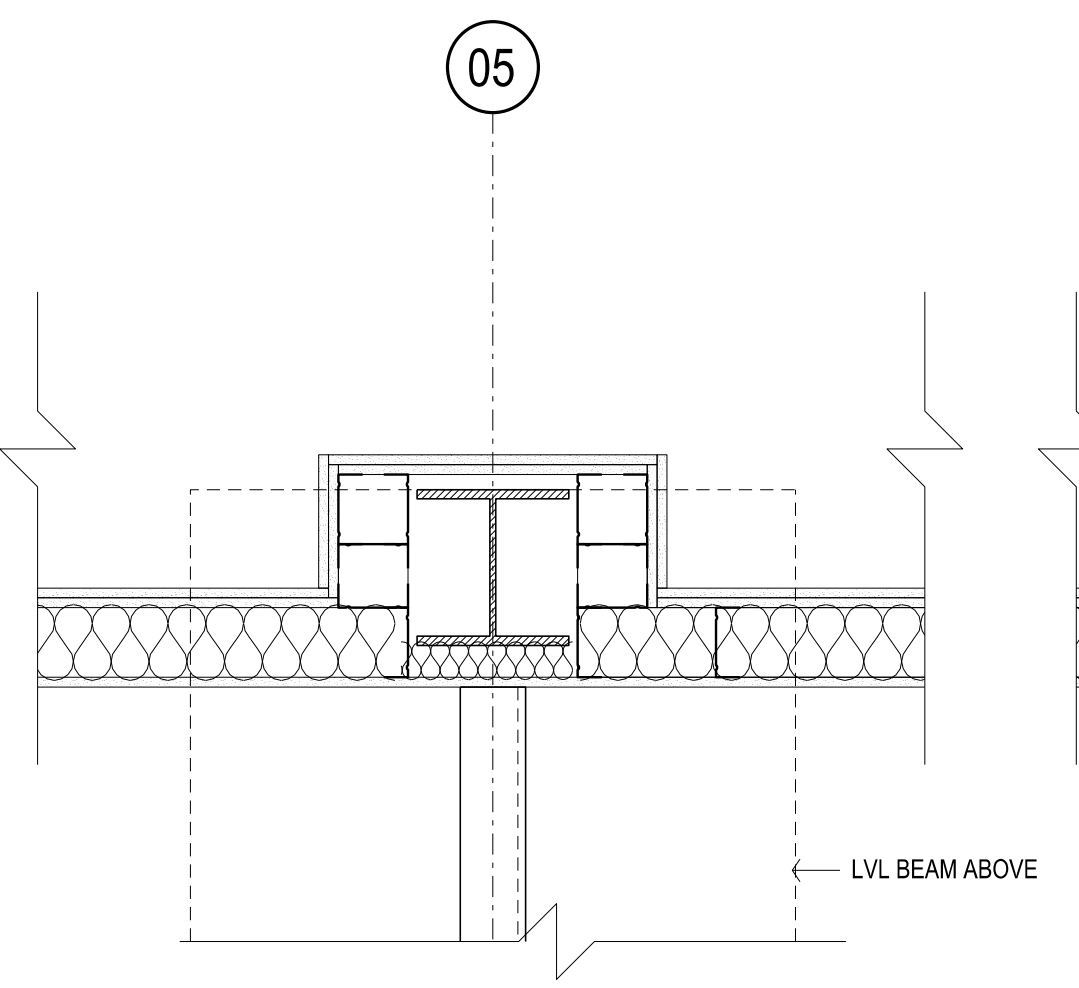
11 PLAN DETAIL - L05  
SCALE 1:10



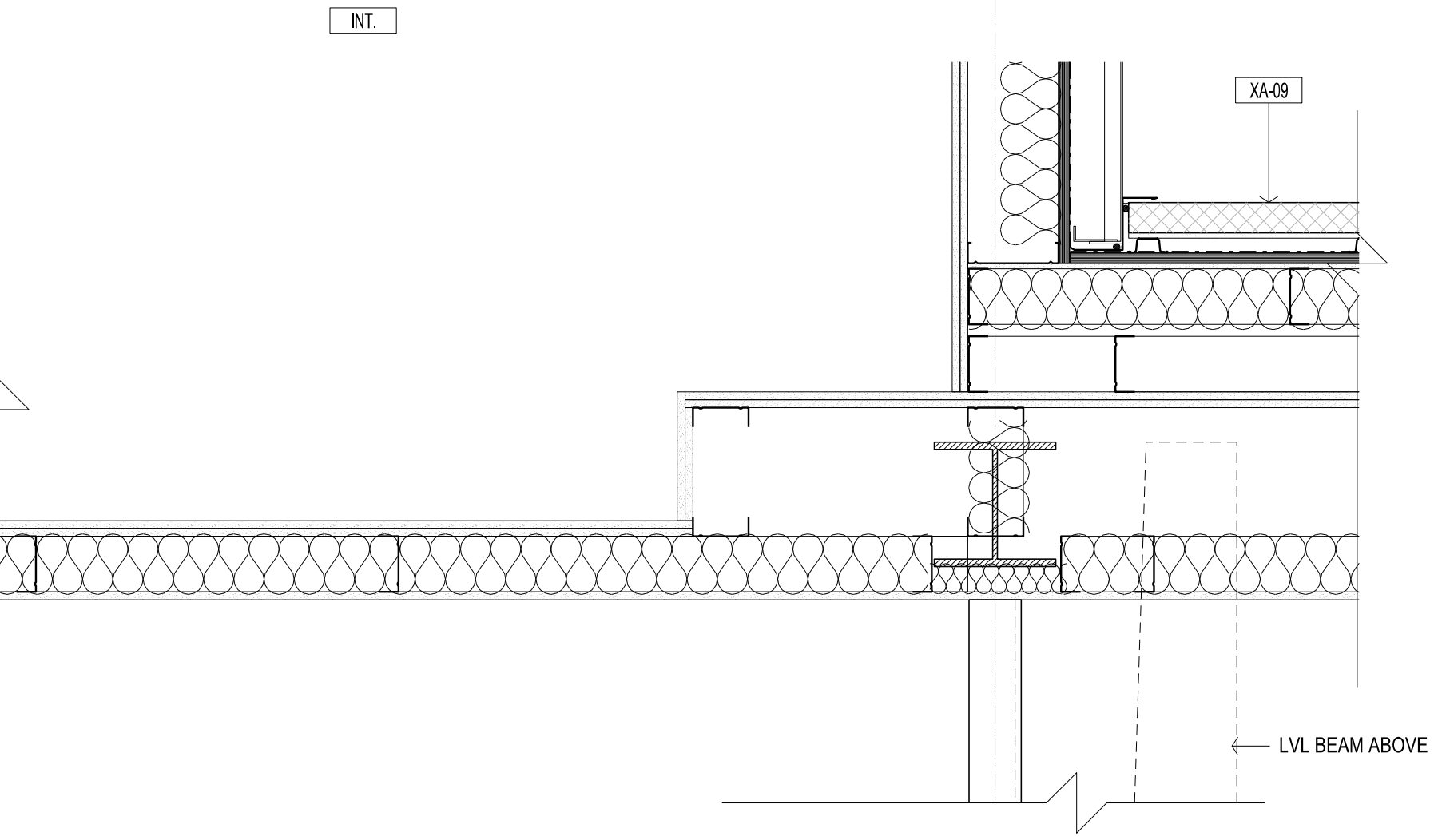
10 PLAN DETAIL - L05  
SCALE 1:10



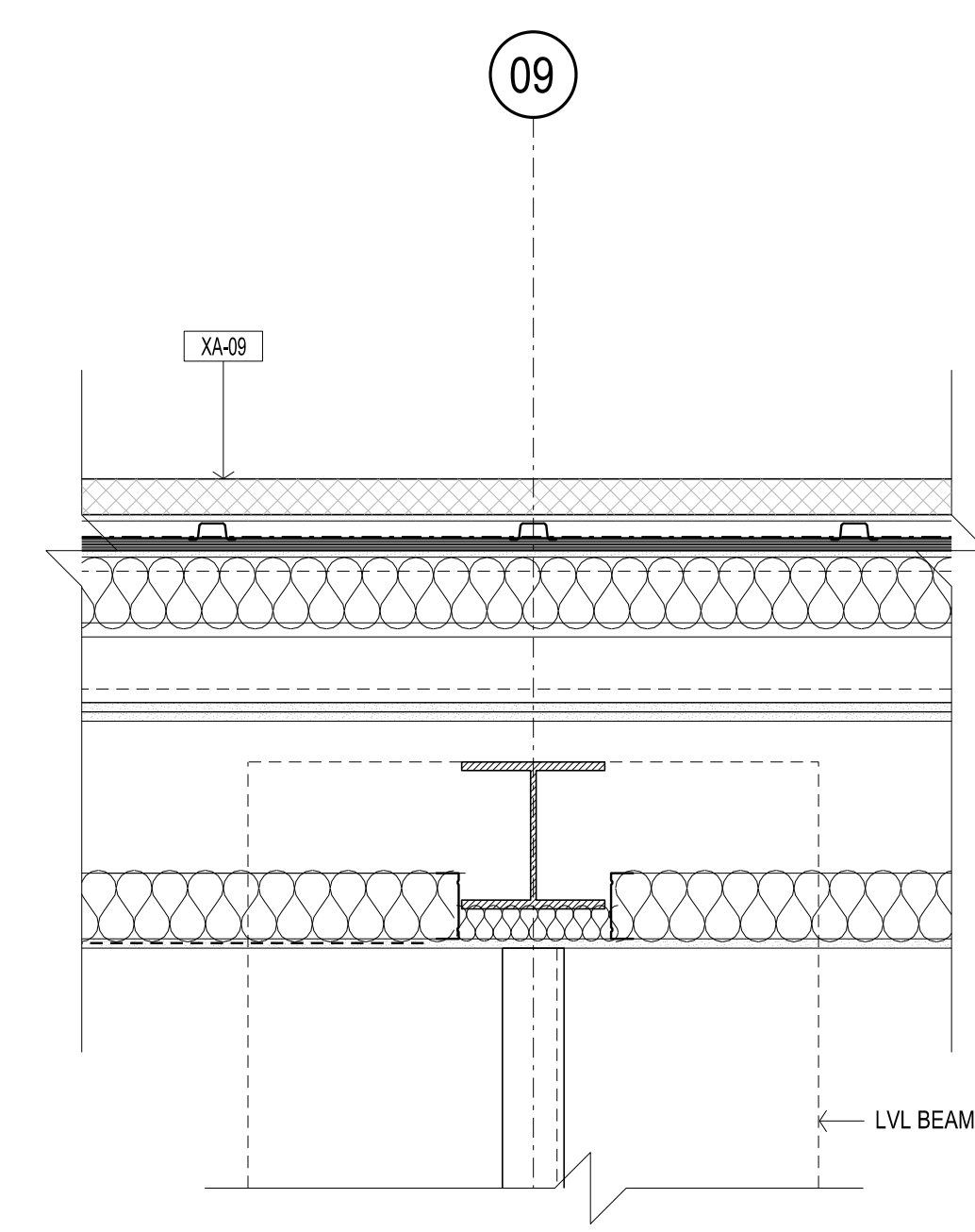
01 PLAN DETAIL - L05  
SCALE 1:10



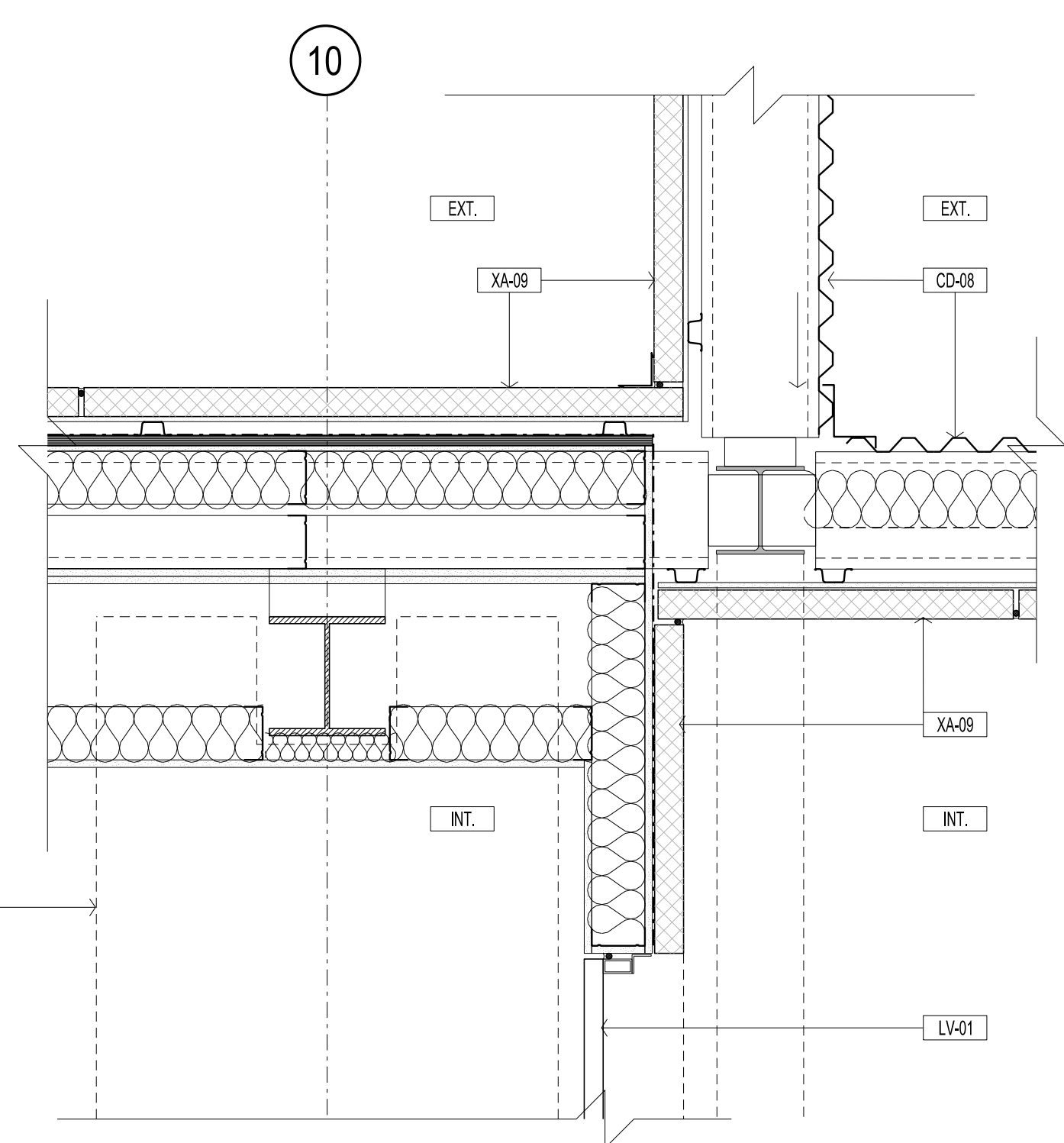
05 PLAN DETAIL - L05  
SCALE 1:10



06 PLAN DETAIL - L05  
SCALE 1:10



09 PLAN DETAIL - L05  
SCALE 1:10



10 PLAN DETAIL - L05  
SCALE 1:10

Rev	Issue	Revision Description	And	Date
A	SG	PLASTERBOARD PACKAGE	-	18.09.13
		REFERENCE DWG CHANGE FROM 1505-1200'S		
05	SG	VALUE MANAGEMENT UPDATE	-	24.05.13
	SG	PLANT ENCLOSURE REV. TO SUIT MECH.		
04	SG	TENDER ISSUE	-	16.04.13
03	SG	100% CD - TENDER ISSUE	-	07.09.12
02	SG	90% CD ISSUE	-	10.09.2012
01	SG	75% CD ISSUE	-	13.07.2012



**NADAAA**  
 NADAAA  
 1520 Washington Street No.2 Boston Massachusetts 02118 USA  
 Telephone +1 617 442 8232 Facsimile +1 617 442 1417 Email nadaaa@nadaaa.com

**John Wardle Architects**  
 25 Rokeby Street, Collingwood, Victoria 3066 Australia  
 Tel: +61 3 8662 0400 www.johnwardlearchitects.com  
 © 2012 John Wardle Architects ABN 83 006 814 268

Client **University of Melbourne Parkville Campus**  
 Project **Faculty of Architecture Building and Planning**  
 Title **PLAN DETAILS L05 - SHEET 2**

Project No.	<b>0913</b>	Scale	1:10 @ A0 1:20 @ A2
Drawing No.	<b>AR6017</b>	Revision	<b>A</b>
Date	Dec 2011	Drawn	-
Co-Ord	-	Check	-

FILENAME - \$FILES  
**FOR CONSTRUCTION**